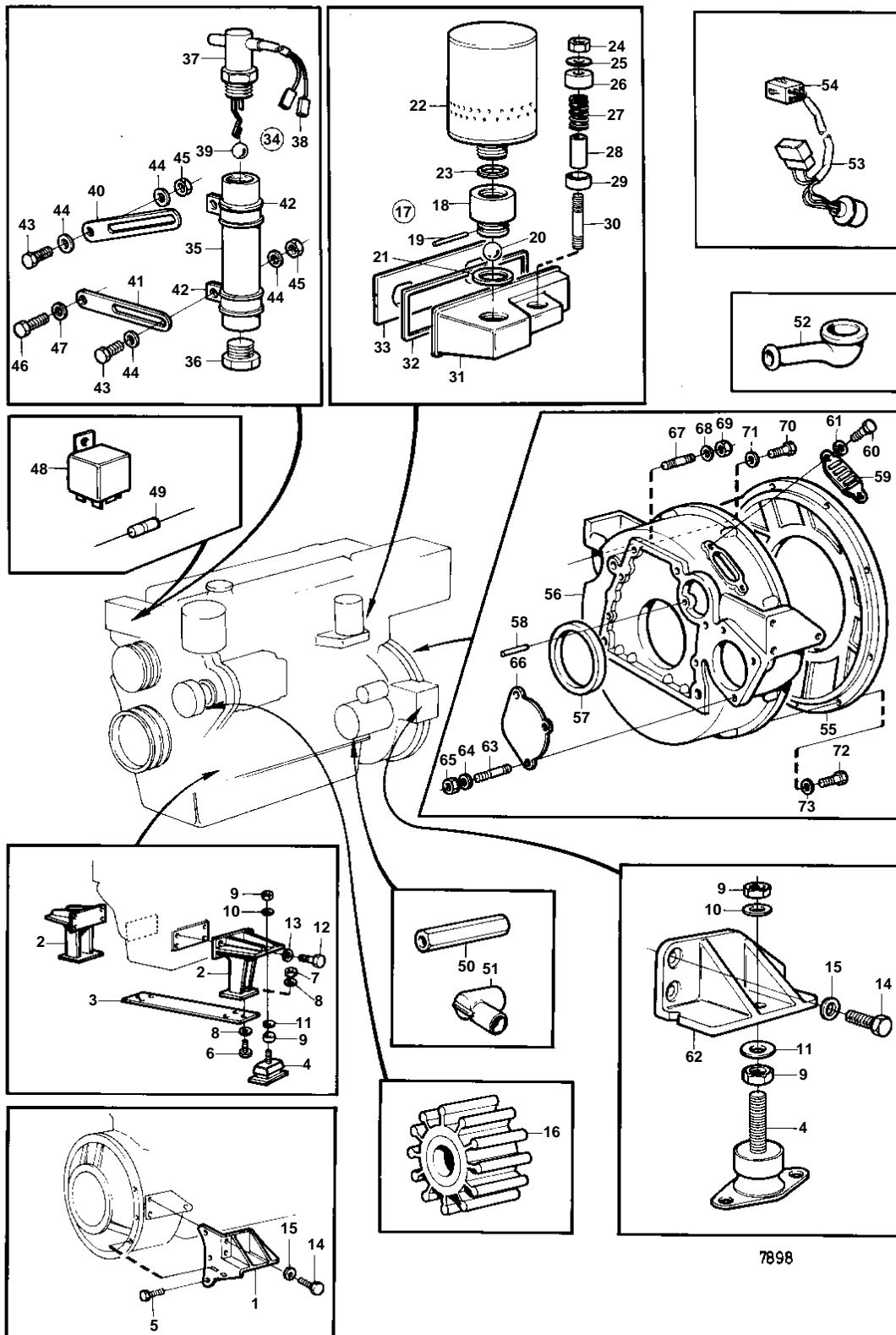


TAMD40A,TAMD40B



TAMD40A,TAMD40B

REF	PART NO.	QTY	DESCRIPTION	SEE SEC.	NOTES
1	858157	1	Bracket		
2	858158	2	Bracket		
3	858159	1	Bracket		
4	858160	4	Rubber cushion		
			Bulletin 44-26	44-26-EN	Reinforced Rubber Cushion
5	965185	3	Flange screw		
6	955342	6	Screw		
7	955784	6	Nut		
8	955897	12	Washer		
9	955805	8	Nut		
10	941912	4	Spring washer		
11	191940	4	Washer		
12	955340	8	Screw		
13	940280	8	Spring washer		
14	955341	6	Screw		
15	940143	6	Lock washer		
16	858248	1	Impeller		
17	858256	1	Check valve		
18	858235	1	· Check valve		
19	951971	1	· Spring pin		
20	181501	1	· Steel ball		
21	843449	1	· Gasket		
22		X	FILTER		SEE GROUP 2A
23	843449	1	Gasket		
24		1	NUT		SEE GROUP 2A
25		1	SEAL RING		SEE GROUP 2A
26		1	COVER		SEE GROUP 2A
27		1	SPRING		SEE GROUP 2A
28	834678	1	Spacer		
29		1	VALVE DISC		SEE GROUP 2A
30		1	STUD BOLT		SEE GROUP 2A
31		1	HOUSING		SEE GROUP 2A
32		1	RUBBER SEAL		SEE GROUP 2A
33		1	SPLASH SHIELD		SEE GROUP 2A
34	858255	1	Tilt sensor		
35	858169	1	· Sleeve		
36	914392	1	· Plug		
37	858454	1	· Switch		
38		X	· · CABLES AND TERMINALS		SEE GROUP 3
39	181332	2	· Steel ball		
40	965537	1	Bracket		
41	965534	1	Bracket		
42	952635	2	Clamp		
43	955271	3	Screw		
44	955892	6	Washer		
45	955781	3	Nut		
46	955268	1	Screw		SEE GROUP 3
47	955892	1	Washer		SEE GROUP 3
48	837878	1	Relay		
49	1518870	1	Diode		
50	855330	1	Nut		
51	855798	1	Protecting sleeve		
52	76614	10	Rubber collar		
53		1	CABLE KIT		
54		X	· CABLES AND TERMINALS		SEE GROUP 3
55	858165	1	Cover		
56	858164	1	Flywheel housing		
57	1542204	1	Sealing ring		
58	404069	1	Setting indicator		
59	407092	1	Cover		
60	955269	2	Screw		
61	941906	2	Spring washer		

TAMD40A,TAMD40B

REF	PART NO.	QTY	DESCRIPTION	SEE SEC.	NOTES
62	829515	1	Bracket		
63	953070	3	Stud		
64	941908	3	Spring washer		
65	955786	3	Nut		
66	423081	X	Flange		
67	953067	3	Stud		
68	941908	3	Spring washer		
69	955783	3	Nut		
70	955320	6	Screw		L = 40 MM
	955321	2	Screw		L = 45 MM
71	941908	8	Spring washer		
72	955319	11	Screw		
73	941908	11	Spring washer		